

PS011A SERIES
LED PUSH BUTTON SWITCH



Feature -

- noiseless
- full color LED illuminated available
- long electrical life cycles
- SPST, momentary function

Application -

- audio / video products
- instrumentation
- communication equipments

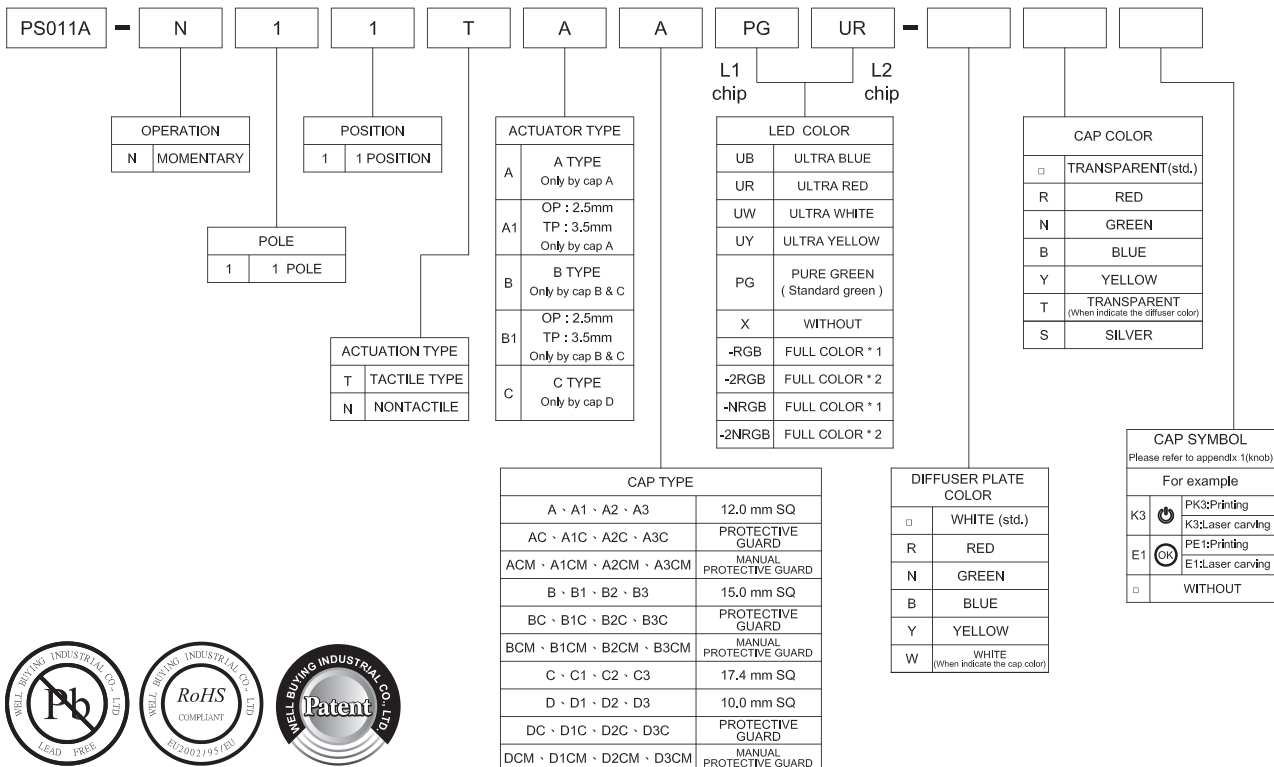
► SPECIFICATIONS

SWITCH SPECIFICATIONS	
POLE - POSITION	OFF - <ON> for Momentary Type , SPST
CONTACT RATING	100 mA 12V DC
CONTACT RESISTANCE	200 mΩ MAX.
INSULATION RESISTANCE	100 MΩ MIN. 500 V DC
DIELECTRIC STRENGTH	Breakdown is not Allowable ; 500 V AC for 1 Minute
OPERATING FORCE	250 ± 80 gf (TP:4.5mm) 160 ± 80 gf (TP:3.5mm)
OPERATING LIFE	1,000,000 cycles
OPERATING TEMPERATURE RANGE	-20°C ~ 70°C
TOTAL TRAVEL	4.5 ± 0.2 mm / 3.5 ± 0.2 mm

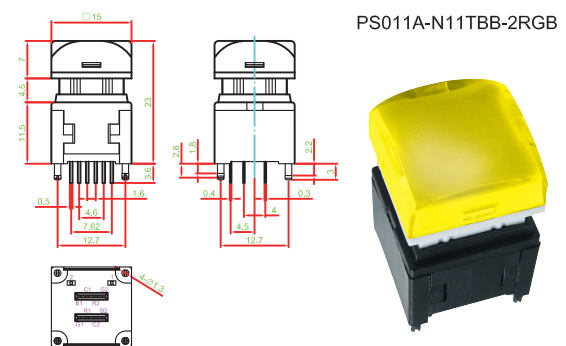
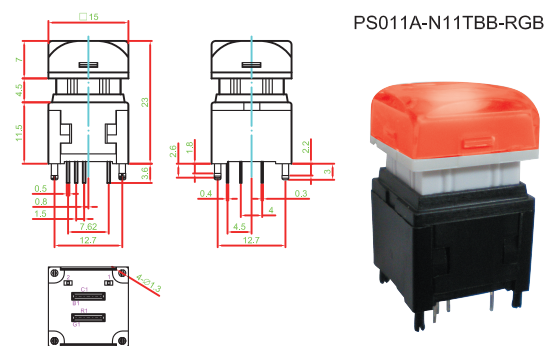
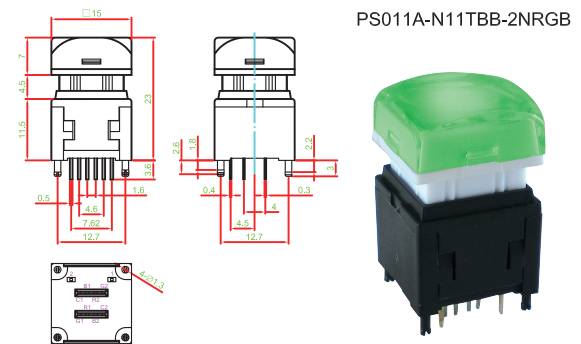
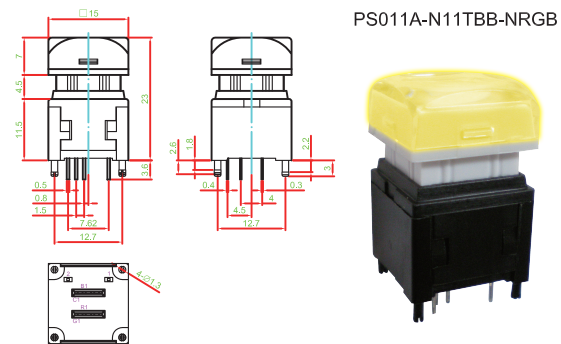
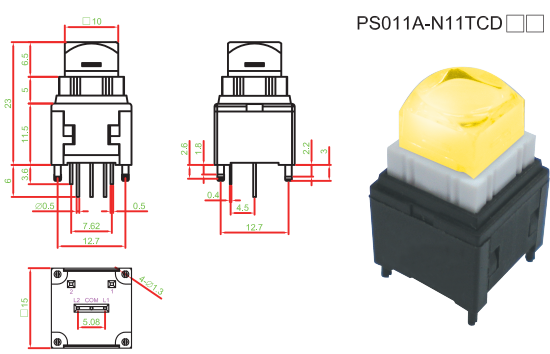
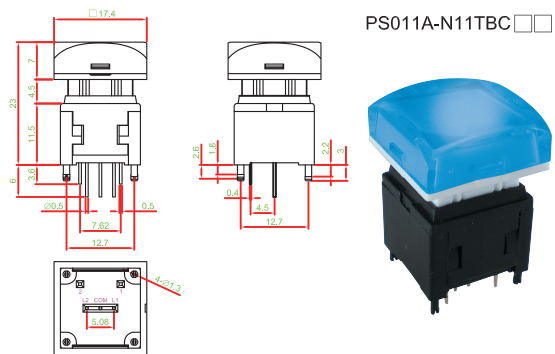
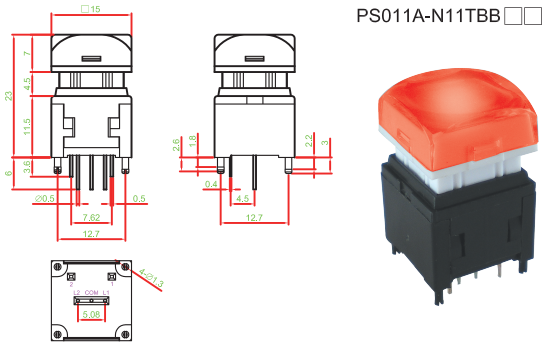
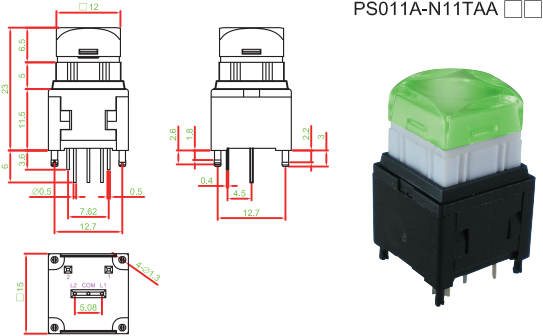
LED SPECIFICATIONS		Value / LED Color			
ATTENTION LEDs are Electrostatic Sensitive devices	Unit	Value / LED Color			
		Ultra Blue	Pure Green	Ultra Red	
FORWARD CURRENT	If	mA	20	20	20
REVERSE VOLTAGE	Vr	V	5.0	5.0	5.0
REVERSE CURRENT	Ir	μA	10	10	10
FORWARD VOLTAGE@20mA	Vf	V	2.7-3.7	2.7-3.2	1.7-2.2
LUMINOUS INTENSITY@20mA	Iv	mcd	25~80	90~225	57~140

■ Physical and electrical information of LED will be provided upon customer's request on switches .

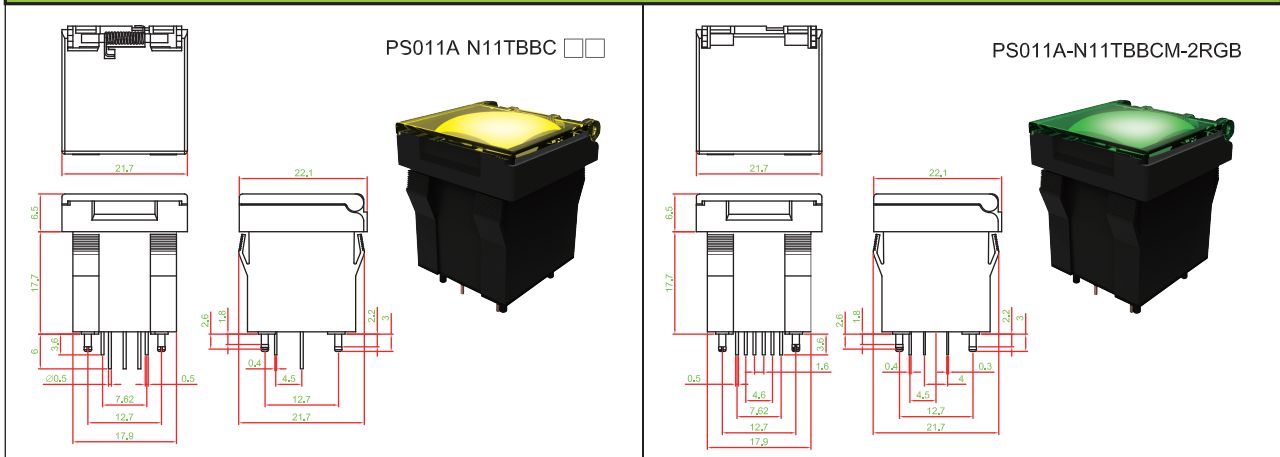
► HOW TO ORDER



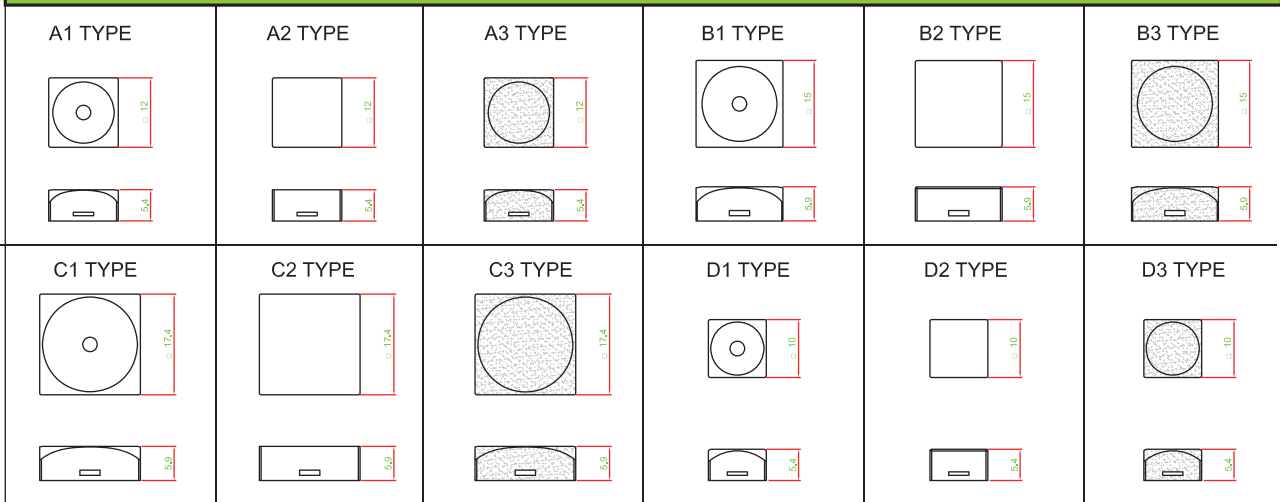
▶ FRAME TYPE OPTION



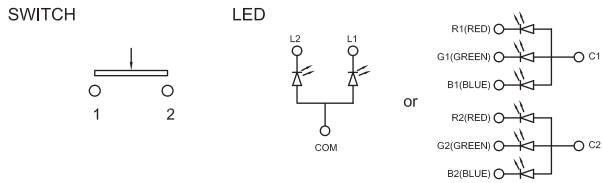
▶ FRAME TYPE OPTION



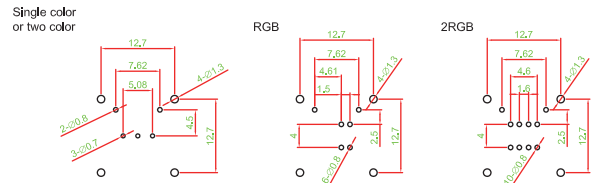
▶ KNOB OPTION



▶ CIRCUIT



▶ P.C.B LAYOUT



▶ MATERIAL

- COVER : PC
- ACTUATOR : POM
- BASE FRAME : PA + GF
- TERMINAL : BRASS SILVER PLATING
- MOVING CONTACT : PHOSPHOR BRONZE GOLD PLATING

▶ PANEL CUT OUT

	PANEL THICK	W
	0.75 ~ 1.25	20.1 ~ 20.3
	1.25 ~ 2.0	20.3 ~ 20.5
	2.0 ~ 3.0	20.5 ~ 20.7

	0	1	2	3	4	5	6	7	8	9	10	11	12	13	14	15	16	17	18	19		
A	0	1	2	3	4	5	6	7	8	9	10	11	12	13	14	15	16	17	18	19		
B	A	B	C	D	E	F	G	H	I	J	CH5	CH6	DSK	PIP	C-KEY	CUT	TAKE	REC	ENG	PROD		
C	K	L	M	N	O	P	Q	R	S	T	REPLAY	RET1	RET2	KEY ON	AUTO TAKE							
D	U	V	W	X	Y	Z	POWER	ON OFF	ON	OFF		USER A	USER B	USER C	USER D	USER E	USER F	USER G	USER H	USER I		
E	OK		Auto	Enter	Start	STOP	OPEN	CLOSE	Exit	Move	USER J									M-1		
F	SET	Reset	Light	Alarm	Menu	Next	Back	Delete	Motor	Save												
G	Up	Down	Right	Left	Test	End	Insert	Lock	Print	+/-							IN PORT	SOS		TC		
H	ESC	BC.	HOME	Health	D-LED 2	OC GENE	VIDEO INPUT	clr CMOS	Green Power	Save OK	P1	P2	P3	P4	P5	DC	AC			TURBO		
I				F1	F2	F3	F4	F5	F6	F7	SEEK	TRACK	RNA	AS/RPT	Select		SET	ON	OFF	UP		
J	F8	F9	F10	F11	F12	F13	F14	IN 1	IN 2	IN 3						ON AIR		D.	M.			
K	IN 4	IN 5	IN 6														HDMI	VGA				
L	+	-	x										MON	ITEM	C/S	GAS	PUMP ON/OFF	PURGE	R/HR	PARL	IOD	
M													FILL	LO RANGE	MID RANGE	MID	HI RANGE	GPD	EFF LEVEL			
N																						
O																						
P							Config.	TIME LINE	ME1	ME2												
Q	ME3	ME4	BOND 3D DVE1	BOND 3D DVE2	BUS COLOR	ME BUTTON LINK	*	INSERT	WIPE													
R		ALL		VP		COPY		RECORD MODE														
S			MUTE																			
T		hold	group	m1	m2	m3	m4	m5	t1	t2												
U	s1	s2	chair	undo	redo	touch	store	recall	e1	e2												
V	e3	e4	OC			CLEAR	CROSS WIND	AMMO TEMP	BARO PERSS	AIR TEMP												
W	BORE-SIGHT	CANT	LEAD	RANGE	MRS	ZERO	TEST	UD	LR													
X	ID	Disp	M/F	CALL	.	BAND	SETUP	MODE	LINK	FUNC.												
Y	SHIFT					DEL																
Z			T	RUN	2D	3D	CH1	CH2	CH3	CH4												